

TL001 SERIES: MULTI FUNCTION NON-IMPACT KEYSTONE TERMINATION TOOL

Part Number	Description
TL00102	Keystone termination tool



CA001 SERIES: PORTABLE CABLE CONTAINER

Part Number	Description
CA00102	Cable container



TL003 SERIES: PUNCH DOWN TOOL FOR 110 IDC

Part Number	Description
TL00301	Impact punch down tool



TL004 SERIES: PUNCH DOWN TOOL FOR KRONE IDC

Part Number	Description
TL00401	Impact punch down tool



TL009 SERIES: FOUR PAIRS PUNCH DOWN TOOL

Part Number	Description
TL00901	punch down tool



TL010 SERIES: HEAVY DUTY FOUR PAIRS PUNCH DOWN TOOL

Part Number	Description
TL01001	punch down tool



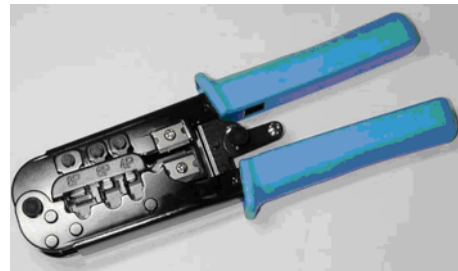
TL008 SERIES: CABLE-TIE INSTALLATION TOOL

Part Number	Description
TL00801	Cable -tie tool 2.2~4.8mm



TL006 SERIES: MALE PLUG CRIMP TOOL

Part Number	Description
TL00601	crimp tool 6P PLUG
TL00602	crimp tool 8P PLUG



TL002 SERIES: 8/6/4P RJ45 MALE PLUG CRIMP TOOL WITH RATCHET

Part Number	Description
TL00201	crimp tool



TL005 SERIES: 8/6/4P RJ45 MALE PLUG STRAIGHT MOTION CRIMP TOOL WITH RATCHET

Part Number	Description
TL00501	crimp tool



TL007 SERIES: STRIPPER FOR COATING OF 125 μ UM OPTICAL FIBER

Part Number	Description
TL00701	Stripping tool



TL015 SERIES: LOW STRESS CONCENTRATION CABLE CUTTER

Part Number	Description
TL01501	Cable cutter



TL011 SERIES: CABLE STRIPPER FOR LAN AND COAXIAL CABLES

Part Number	Description
TL01101	Cable stripper



TL013 SERIES: COMPRESSION TOOL FOR WATERPROOF CONNECTORS

Part Number	Description
TL01301	Compression tool



TL014 SERIES: HEAVY DUTY COMPRESSION TOOL FOR WATERPROOF CONNECTORS

Part Number	Description
TL01401	Compression tool



TL017 SERIES: CRIMP TOOL FOR COAXIAL CONNECTORS

Part Number	Description
TL01701	Crimp tool



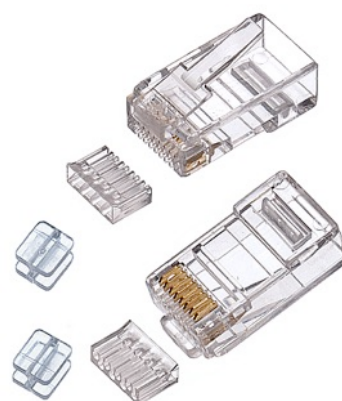
PG001 SERIES: RJ45 PLUG ONE-PIECE TYPE

Part Number	Description
PG00101	8P8C plug, 2 prunes, 50u”



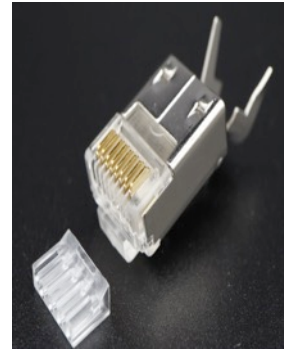
PG004 SERIES: RJ45 PLUG WITH ONE WIRING INSERT

Part Number	Description
PG00401	8P8C plug, 3 prunes, 50u”



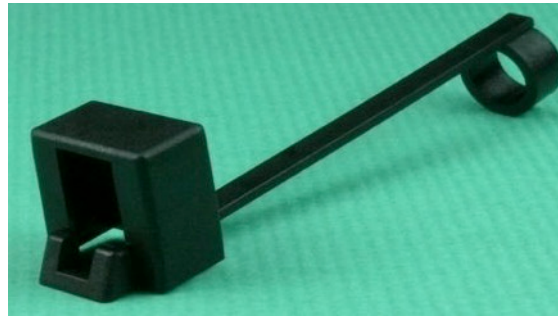
PG005 SERIES: RJ45 PLUG WITH TWO WIRING INSERT

Part Number	Description
PG00501	8P8C plug, 3 prunes, 50u”



PG006 SERIES: RJ45 PLUG STP WITH CABLE CLIP AND ONE WIRING INSERT

Part Number	Description
PG00601	8P8C plug, 3 prunes, 50u"



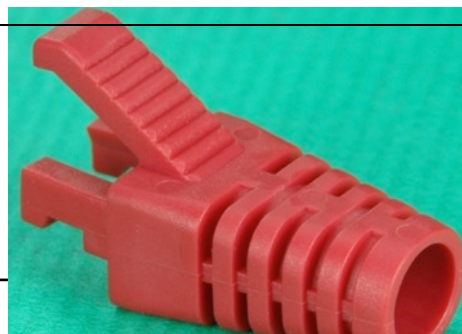
PA007 SERIES: DUST CAP FOR RJ-45 MALE PLUG

Part Number	Description
PA00701	Dust cap



PA003 SERIES: BOOT FOR RJ-45 MALE PLUG

Part Number	Description
PA00301	Boot for 6mm OD cable



PA008 SERIES: BOOT FOR RJ-45 MALE PLUG, SLIM TYPE

Part Number	Description
PA00801	Boot for 6mm OD cable



PA009 SERIES: BOOT FOR RJ-45 MALE PLUG, COVER TYPE

Part Number	Description
PA00901	Boot for 6mm OD cable



CA004 SERIES: HOOK AND LOOP CABLE TIE

Part Number	Description
CA00401	Hook and Loop cable tie